

577nm Yellow High Power Laser



Specifications

Model Number	HP-Y577-3000-DB
Optical Specifications	
Wavelength	577 nm
Center Wavelength Deviation	+/- 2 nm
Output Power	3 W
M ²	< 5
Longitudinal Mode	Multi
Transverse Mode	Near TEM00
Power Stability (over 4 hours) (rms)	< 10% ⁽¹⁾
Operating Mode	CW ⁽²⁾
Polarization Ratio	> 50:1
Beam Diameter at the Aperture (1/e ²)	~ 7.5 mm
Beam Divergence (Full Angle)	< 1.1 mrad
Warm-up time	< 12 minutes
Beam Height from Base Plate	95 mm
Working Temperature	15 to 35 ° C
Cooling Mode	TEC / FANS
Estimated Lifetime (MTTF)	10,000 hours
Warranty Time	1 year
Mechanical Specifications	
Dimension of Laser Head	350 (L) x 140 (W) x 130 (H) mm
Dimension of Power Supply	340 (L) x 170 (W) x 135 (H) mm
Dimensional Tolerances	+/- 10 mm

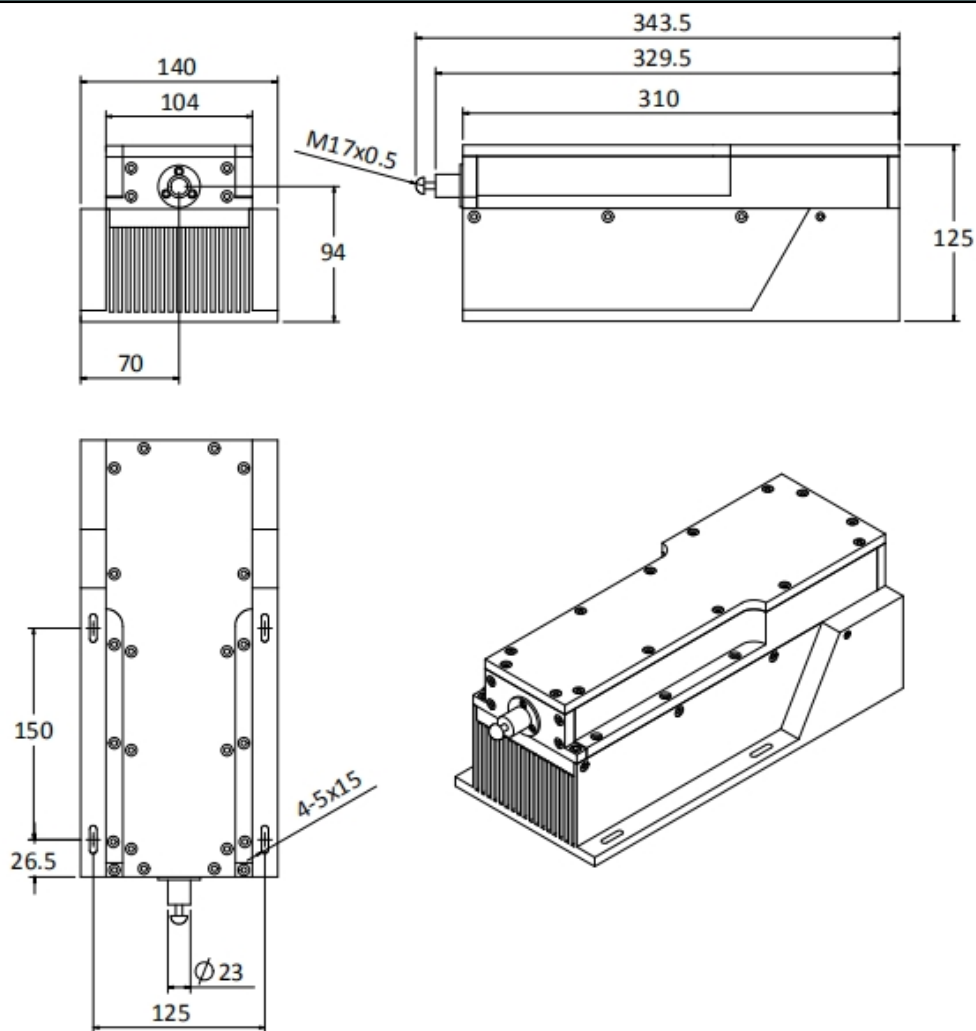
(1) optional: < 3%, < 5%

(2) optional: TTL or Analog (1Hz-1kHz)

577nm Yellow High Power Laser



Drawing



Dimensions in mm