

Low Noise Laser

Specifications

Model Number	LN-UV360-50-DB
Optical Specifications	
Wavelength	360 nm
Center Wavelength Deviation	+/- 1 nm
Output Power	< 50 mW
M ²	< 2.1
Longitudinal Mode	Multi
Transverse Mode	TEM00
Power Stability (over 4 hours) (rms)	< 5 % ⁽¹⁾
Operating Mode	CW
Polarization Ratio	> 50:1 ⁽²⁾
Beam Diameter at the Aperture (1/e ²)	~ 1.5mm
Spectral Linewidth	< 0.003 nm
Noise of Amplitude (rms, 1Hz-20MHz)	< 0.5 %, < 1 %
Beam Divergence (Full Angle)	< 1.1 mrad
Warm-up time	< 12 minutes
Beam Height from Base Plate	27.5 mm
Working Temperature	10 to 35 °C
Cooling Mode	TEC / FANS
Estimated Lifetime (MTTF)	10000 hours
Warranty Time	1 year
Mechanical Specifications	
Dimension of Laser Head	210 (L) x 70 (W) x 50 (H) mm
Dimension of Power Supply	240 (L) x 150 (W) x 110 (H) mm
Dimensional Tolerances	+/- 10 mm

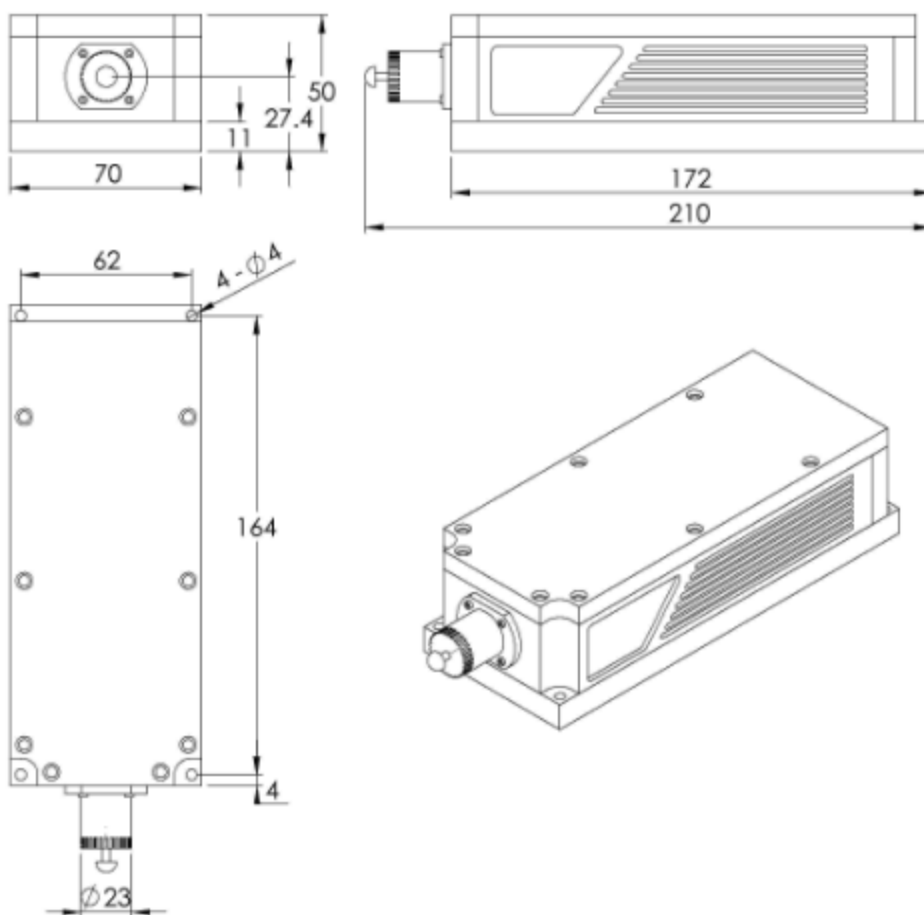
(1) optional: < 1%, < 3%

(2) optional: >100:1

UV360nm Low Noise Laser



Drawing



Dimensions in mm