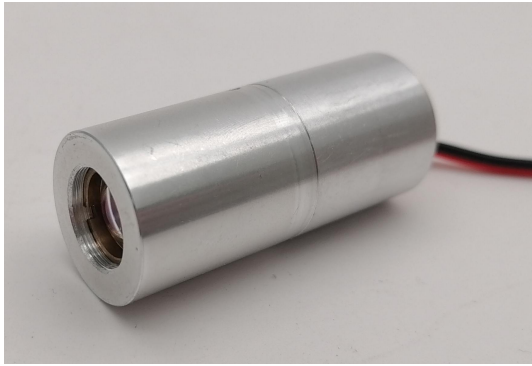


# Yellow Dot Laser Module Wide Temperature Range

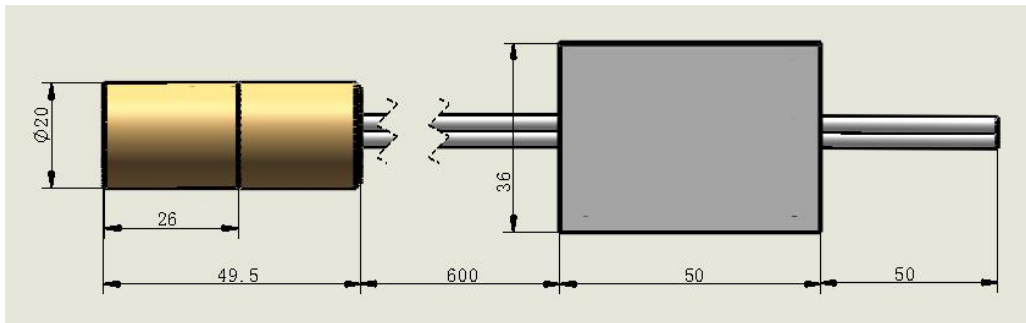


**Y574D010-20x49.5-(23-27)-10**

## Features

- DPSS Laser
- Yellow Laser

## Dimensions (Unit: mm)



## Specifications

Model Number		Y54D010-20x49.5-(23-27)-10		
Mechanical Specifications		Min	Typ	Max
Laser Head	Diameter (mm)	19.9	20	20.1
	Length (mm)	49.3	49.5	49.7
	Weight (g)	-	60	-
Driver Box	LxWxH (mm <sup>3</sup> )	49*35*10	50*36*11	51*37*12
Housing Material		Aluminum、Copper		
Optical Specifications		Min	Typ	Max
Wavelength (nm) <sup>(1)</sup>		568	573	578
Output Power (mW )		8	-	-
Power Stability <sup>(2)</sup>		-	+/- 10%	+/- 25%
Output Power Mode		CW		
Laser Class		3B		

<sup>(1)</sup> over Operating Case Temperature Range

<sup>(2)</sup> over Operating Case Temperature Range

<b>Beam Specifications</b>	<b>Min</b>	<b>Typ</b>	<b>Max</b>
Beam Divergence (mrad) <sup>(1)</sup>	-	1mrad	2mrad
Beam Diameter at Output Window (mm)	-	3.4	4
Beam Roundness	70%	-	100%
Beam Mode Longitude	Multi		
Beam Mode Transverse	near TEM <sub>00</sub>		
M <sup>2</sup>	-	-	/
Polarization Ratio	/	-	-
Residual IR (%)	-	-	None
<b>Electrical Specifications</b>	<b>Min</b>	<b>Typ</b>	<b>Max</b>
PCB Type	ACC		
Voltage (DC, V)	3	5	8
Operating Current (A) at 5V <sup>(2)</sup>	0.24	0.27	0.3
Housing Isolation	No		
ESD protection	No		
Wire Length (mm)	650 +/- 20		
Wire Type <sup>(3)</sup>	22AWG		
Connector Model <sup>(4)</sup>	None		
Reverse Voltage Protection	Yes		
<b>Reliability</b>	<b>Min</b>	<b>Typ</b>	<b>Max</b>
Operating Case Temperature Range (°C)	23	25	27
Rise Time (Seconds) <sup>(5)</sup>	-	15	20
Storage Temperature (°C)	-40	-	60
Environmental Humidity (RH, %)	5	-	85
Lifetime (hours) (MTTF at 25°C)	10,000	-	-
RoHS Compliance Declaration	Yes		

<sup>(1)</sup> Full Angle (1/e<sup>2</sup>)

<sup>(2)</sup> over Operating Case Temperature

<sup>(3)</sup> Optional: Alternative Wire Types on demand

<sup>(4)</sup> Optional: Alternative connector Models on demand

<sup>(5)</sup> to 75% of full Output Power