

# 1573nm IR High Power Laser



## Specifications

Model Number	HP-IR1573-20-DB
<b>Optical Specifications</b>	
Wavelength	1573 nm
Center Wavelength Deviation	+/- 2 nm
Output Power	20 mW
M <sup>2</sup>	< 1.1
Longitudinal Mode	Multi
Transverse Mode	TEM00
Power Stability (over 4 hours) (rms)	< 5% <sup>(1)</sup>
Operating Mode	CW
Polarization Ratio	NA <sup>(2)</sup>
Beam Diameter at the Aperture (1/e <sup>2</sup> )	~ 1.0 mm
Beam Divergence (Full Angle)	< 1.5 mrad
Warm-up time	< 5 minutes
Beam Height from Base Plate	25 mm
Working Temperature	22 to 28 ° C
Cooling Mode	TEC / FANS
Estimated Lifetime (MTTF)	10,000 hours
Warranty Time	1 year
<b>Mechanical Specifications</b>	
Dimension of Laser Head	150 (L) x 60 (W) x 45 (H) mm
Dimension of Power Supply	188 (L) x 155 (W) x 92 (H) mm
Dimensional Tolerances	+/- 10 mm

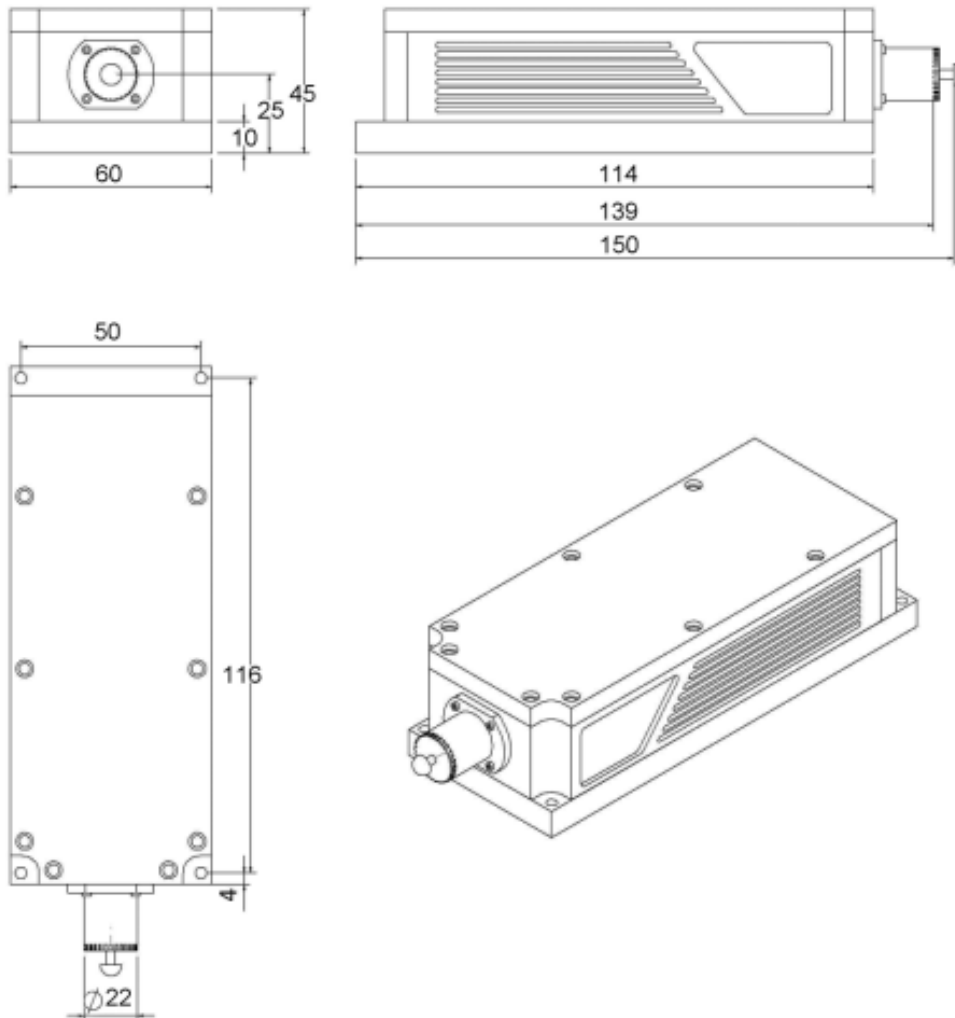
<sup>(1)</sup> optional: < 2%, < 3%

<sup>(2)</sup> optional: >50:1

# 1573nm IR High Power Laser



## Drawing



Dimensions in mm