

# 543nm Green High Power Laser



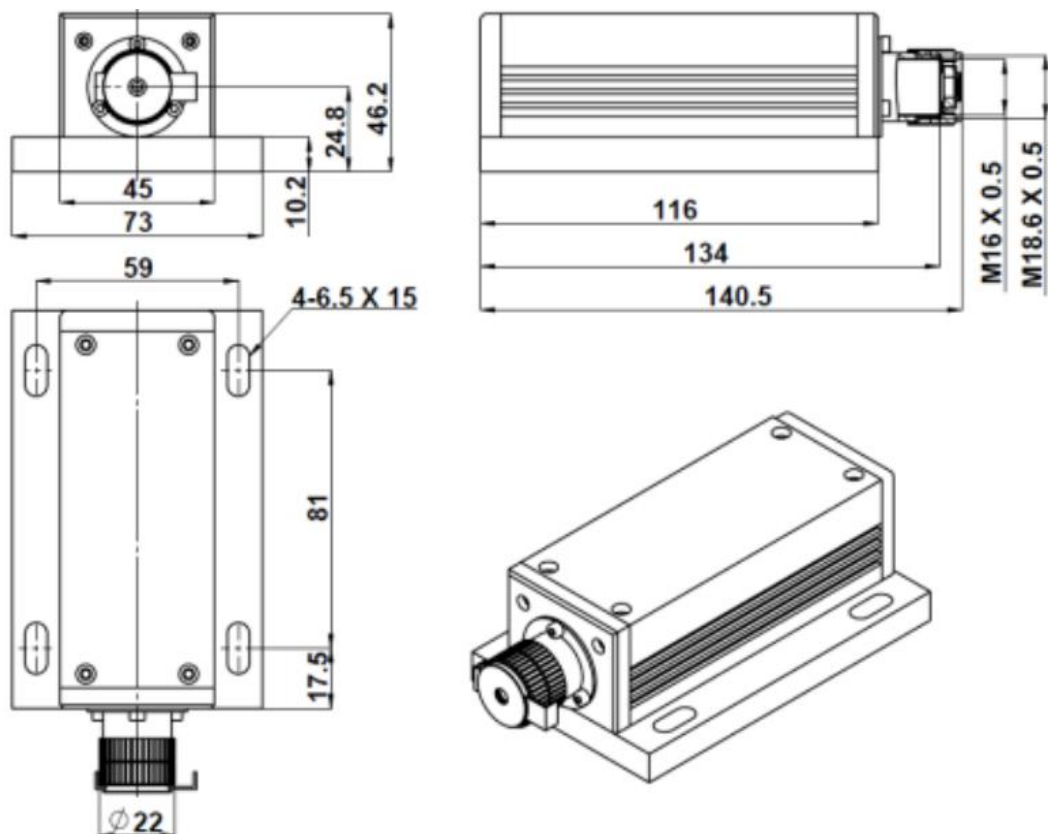
## Specifications

|   |                                  |
|---|----------------------------------|
| <b>Model Number</b>                               | <b>HP-543G-100-DB</b>            |
| <b>Optical Specifications</b>                     |                                  |
| Wavelength  | 543 nm                           |
| Center Wavelength Deviation                       | +/- 1 nm                         |
| Output Power                                      | 100 mW                           |
| M <sup>2</sup>                                    | < 1.2                            |
| Longitudinal Mode                                 | Multi                            |
| Transverse Mode                                   | TEM00                            |
| Power Stability (over 4 hours) (rms)              | <5% (optional: < 2%, <3%)        |
| Operating Mode                                    | CW                               |
| Polarization Ratio                                | > 100:1                          |
| Beam Diameter at the Aperture (1/e <sup>2</sup> ) | ~1.2 mm                          |
| Beam Divergence (Full Angle)                      | <1.5mrad                         |
| Warm-up time                                      | < 10 minutes                     |
| Beam Height from Base Plate                       | 24.8mm                           |
| Working Temperature                               | 10 to 35 ° C                     |
| Cooling Mode                                      | TEC / FANS                       |
| Lifetime (MTTF)                                   | 10000 hours                      |
| Warranty Time                                     | 1year                            |
| <b>Mechanical Specifications</b>                  |                                  |
| Dimension of Laser Head                           | 140.5 (L) x 73 (W) x 46.2 (H) mm |
| Dimension of Power Supply                         | 153 (L) x 155 (W) x 92 (H) mm    |
| Dimensional Tolerances                            | +/- 10 mm                        |

# 543nm Green High Power Laser



## Drawing



Dimensions in mm