

# 532nm Green High Power Laser



## Specifications

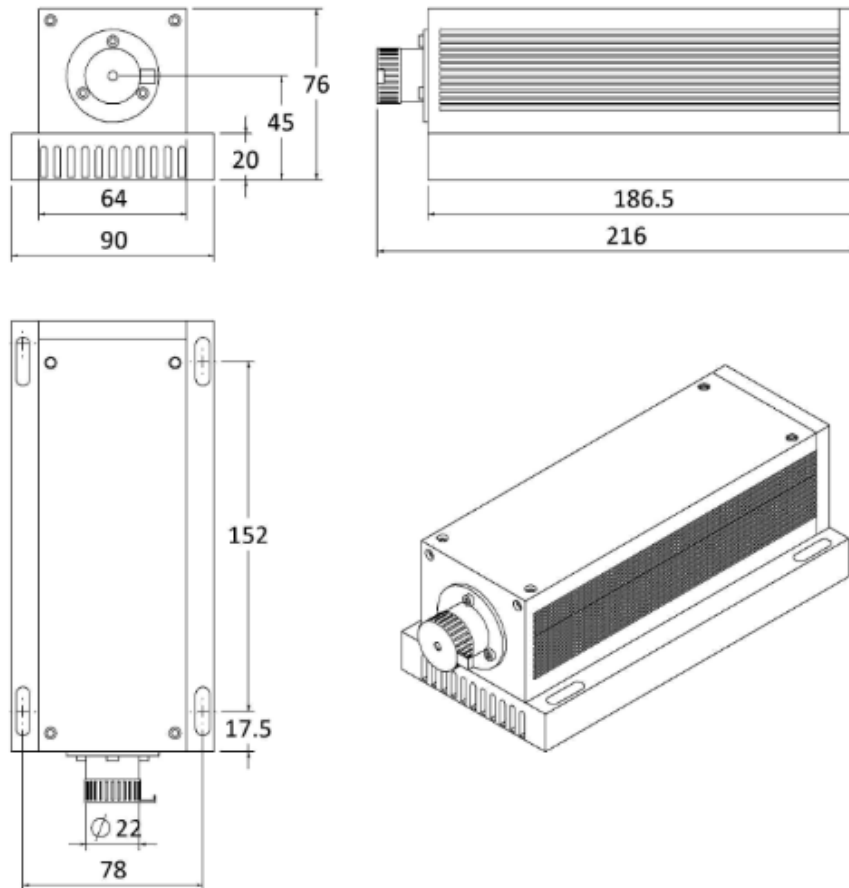
<b>Model Number</b>	<b>HP-G532-2000-DB-FC</b>
<b><i>Optical Specifications</i></b>	
Wavelength	532 nm
Center Wavelength Deviation	+/- 2 nm
Output Power	> 2 W (at fiber exit)
M <sup>2</sup>	< 1.2
Longitudinal Mode	Multi
Transverse Mode	TEM00
Power Stability (over 4 hours) (rms)	< 10% <sup>(1)</sup>
Operating Mode	CW
Polarization Ratio	> 100:1
Beam Diameter at the Aperture (1/e <sup>2</sup> )	~2 mm
Beam Divergence (Full Angle)	< 1.3 mrad
Warm-up time	< 12 minutes
Beam Height from Base Plate	45 mm
Working Temperature	15 to 35 ° C
Cooling Mode	TEC / FANS
Estimated Lifetime (MTTF)	10,000 hours
Warranty Time	1 year
<b><i>Mechanical Specifications</i></b>	
Dimension of Laser Head	216 (L) x 90 (W) x 76 (H) mm
Dimension of Power Supply	280 (L) x 150 (W) x 105 (H) mm
Dimensional Tolerances	+/- 10 mm
<b><i>Fiber Specifications</i></b>	
Fiber Type	Multimode
Fiber Core Diameter	105um
Numerical Aperture	0.22

<sup>(1)</sup> optional: < 3%, < 5%

# 532nm Green High Power Laser



## Drawing



Dimensions in mm