

589nm Yellow High Power Laser



Specifications

Model Number	HP-Y589-50-DB
Optical Specifications	
Wavelength	589 nm
Center Wavelength Deviation	+/- 1 nm
Output Power	1 ~ 50 mW
M ²	< 1.5
Longitudinal Mode	Multi
Transverse Mode	TEM00
Power Stability (over 4 hours) (rms)	< 5% ⁽¹⁾
Operating Mode	CW ⁽²⁾
Polarization Ratio	> 100:1
Beam Diameter at the Aperture (1/e ²)	~ 1.2 mm
Beam Divergence (Full Angle)	< 1.5 mrad
Warm-up time	< 10 minutes
Beam Height from Base Plate	24.8 mm
Working Temperature	10 to 35 ° C
Cooling Mode	TEC / FANS
Estimated Lifetime (MTTF)	10,000 hours
Warranty Time	1 year
Mechanical Specifications	
Dimension of Laser Head	143 (L) x 73 (W) x 46.2 (H) mm
Dimension of Power Supply	153 (L) x 155 (W) x 92(H) mm
Dimensional Tolerances	± 10mm

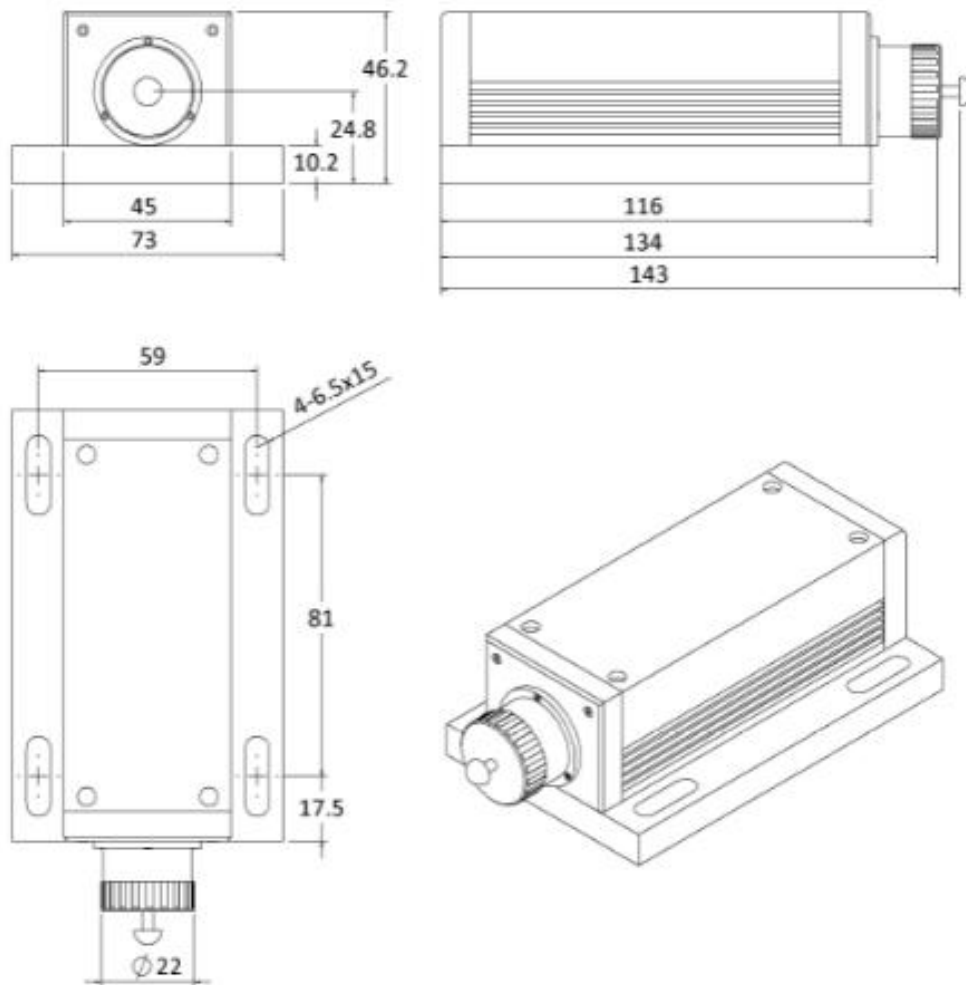
(1) optional: < 2%, < 3%

(2) optional: TTL or Analog (1Hz-1kHz)

589nm Yellow High Power Laser



Drawing



Dimensions in mm