

589nm Yellow High Power Laser



Specifications

| Model Number | HP-Y589-300-DB |
|---|-------------------------------|
| Optical Specifications | |
| Wavelength | 589 nm |
| Center Wavelength Deviation | +/- 1 nm |
| Output Power | 50 ~ 300 mW |
| M ² | < 2.0 |
| Longitudinal Mode | Multi |
| Transverse Mode | TEM00 |
| Power Stability (over 4 hours) (rms) | < 5% ⁽¹⁾ |
| Operating Mode | CW ⁽²⁾ |
| Polarization Ratio | > 100:1 |
| Beam Diameter at the Aperture (1/e ²) | ~ 3.0 mm |
| Beam Divergence (Full Angle) | < 2.0 mrad |
| Warm-up time | < 10 minutes |
| Beam Height from Base Plate | 45 mm |
| Working Temperature | 10 to 35 ° C |
| Cooling Mode | TEC / FANS |
| Estimated Lifetime (MTTF) | 10,000 hours |
| Warranty Time | 1 year |
| Mechanical Specifications | |
| Dimension of Laser Head | 216(L) x 90 (W) x 76 (H) mm |
| Dimension of Power Supply | 277 (L) x 145 (W) x 106(H) mm |
| Dimensional Tolerances | ± 10mm |

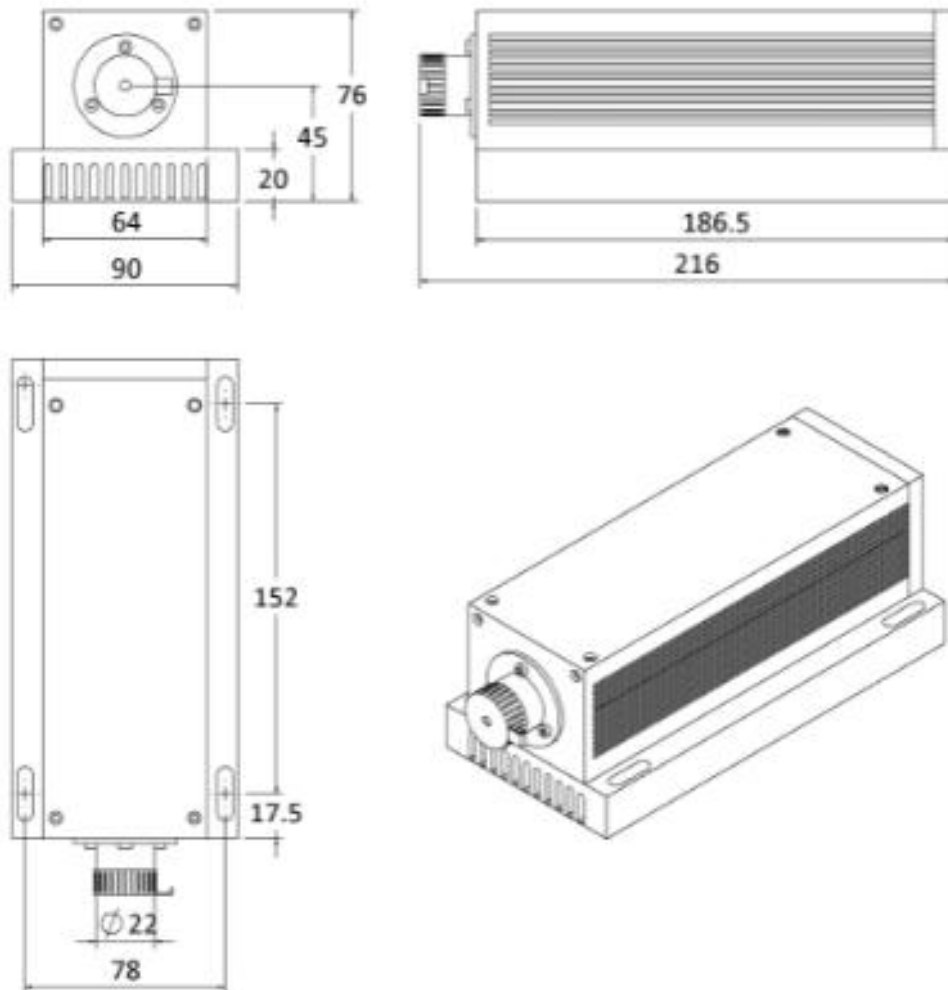
(1) optional: < 2%, < 3%

(2) optional: TTL or Analog (1Hz-1kHz)

589nm Yellow High Power Laser



Drawing



Dimensions in mm