

577nm Yellow Low Noise Laser



Specifications

Model Number	LN-Y577-300-DB
Optical Specifications	
Wavelength	577 nm
Center Wavelength Deviation	+/-2 nm
Output Power	10-300 mW
Longitudinal Mode	Multi
Transverse Mode	TEM00
Power Stability (over 4 hours) (rms)	< 5 % ⁽¹⁾
Operating Mode	CW
Polarization Ratio	> 100:1
Beam Diameter at the Aperture (1/e ²)	~ 2.5 mm
Noise of Amplitude (RMS, 1Hz-20MHz)	< 1 %
Beam Divergence (Full Angle)	< 1.5 mrad
Warm-up time	< 10 minutes
Beam Height from Base Plate	45 mm
Working Temperature	10 to 35 ° C
Cooling Mode	TEC / FANS
Estimated Lifetime (MTTF)	10,000 hours
Warranty Time	1 year
Mechanical Specifications	
Dimension of Laser Head	216 (L) x 90 (W) x 76 (H) mm
Dimension of Power Supply	277 (L) x 145 (W) x 106 (H) mm
Dimensional Tolerances	+/- 10 mm

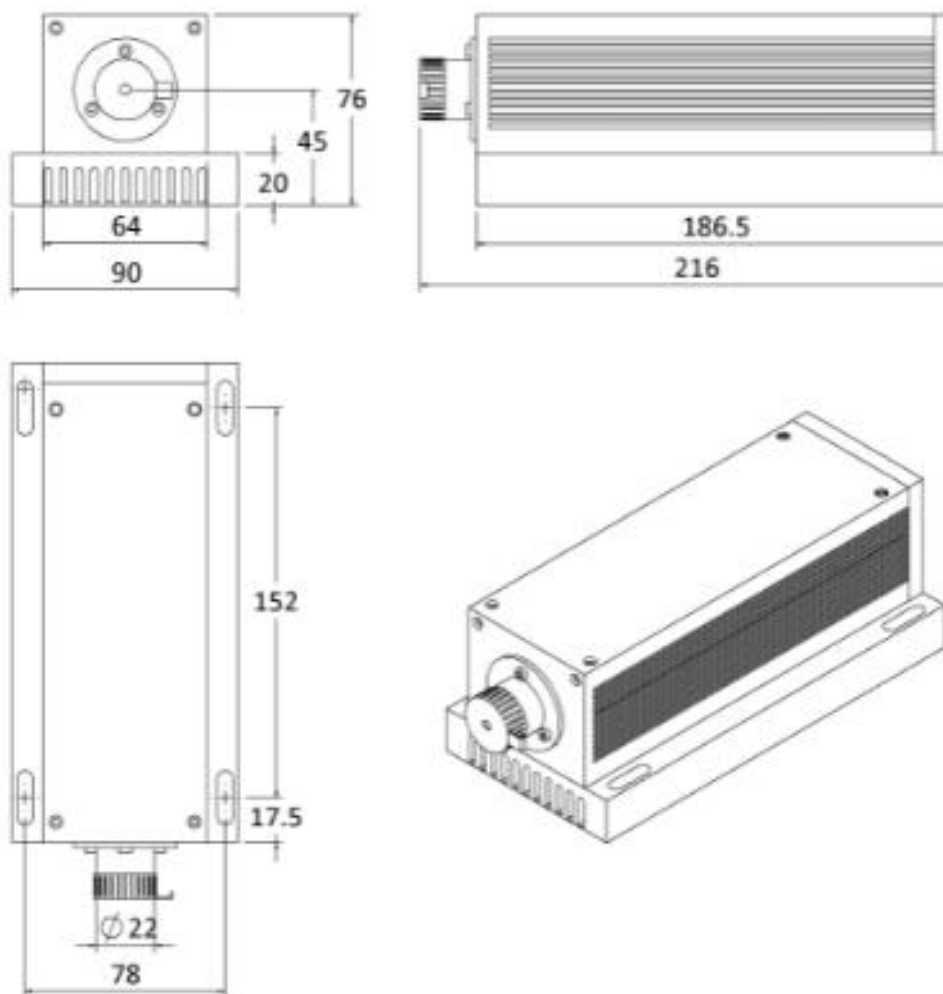
⁽¹⁾ optional: <1%, < 2%, <3%

577nm Yellow Low Noise Laser



Specifications

Drawing



Dimensions in mm