

589nm Yellow Low Noise Laser



Specifications

Model Number	LN-Y589-200-DB
<i>Optical Specifications</i>	
Wavelength	589 nm
Center Wavelength Deviation	+/-1 nm
Output Power	1-200 mW
Longitudinal Mode	Multi
Transverse Mode	TME00
Power Stability (over 4 hours) (rms)	< 5 % ⁽¹⁾
Operating Mode	CW
Polarization Ratio	> 100:1
Beam Diameter at the Aperture (1/e ²)	~ 0.70 mm
Noise of Amplitude (RMS, 1Hz-20MHz)	< 1 %
Beam Divergence (Full Angle)	< 1.5 mrad
Warm-up time	< 10 minutes
Beam Height from Base Plate	27.4 mm
Working Temperature	15 to 40 ° C
Cooling Mode	TEC / FANS
Estimated Lifetime (MTTF)	10,000 hours
Warranty Time	1 year
<i>Mechanical Specifications</i>	
Dimension of Laser Head	142.5 (L) x 60 (W) x 50 (H) mm
Dimension of Power Supply	236 (L) x 145 (W) x 104 (H) mm
Dimensional Tolerances	+/- 10 mm

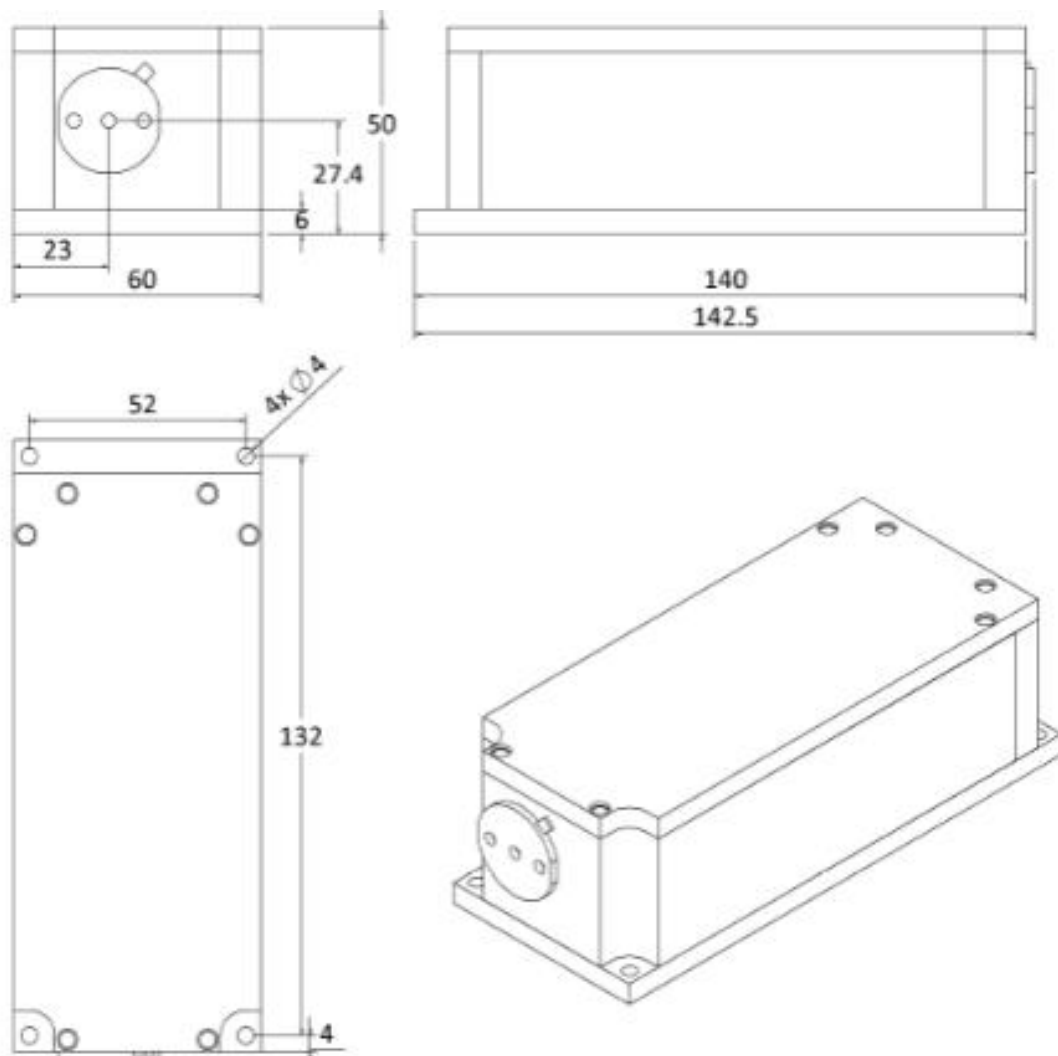
⁽¹⁾ optional: <1%, < 2%, <3%

589nm Yellow Low Noise Laser



Specifications

Drawing



Dimensions in mm