

# 375nm UV Low Noise Laser



## Specifications

<b>Model Number</b>	<b>LN-375UV-50-DB</b>
<b>Optical Specifications</b>	
Wavelength	375 nm
Center Wavelength Deviation	+/-5 nm
Output Power	1-50 mW
Longitudinal Mode	Multi
Transverse Mode	TEM00
Power Stability (over 4 hours) (rms)	< 3 % <sup>(1)</sup>
Operating Mode	CW <sup>(2)</sup>
Polarization Ratio	> 50:1 <sup>(3)</sup>
Beam Diameter at the Aperture (1/e <sup>2</sup> )	~ 3.0 mm
Noise of Amplitude (RMS, 1Hz-20MHz)	< 1 %
Beam Divergence (Full Angle)	< 0.5 mrad
Warm-up time	< 5 minutes
Beam Height from Base Plate	24.9 mm
Working Temperature	10 to 35 ° C
Cooling Mode	TEC / FANS
Estimated Lifetime (MTTF)	10,000 hours
Warranty Time	1 year
<b>Mechanical Specifications</b>	
Dimension of Laser Head	142.5 (L) x 60 (W) x 50 (H) mm
Dimension of Power Supply	188.6 (L) x 155 (W) x 92(H) mm
Dimensional Tolerances	+/- 10 mm

<sup>(1)</sup> optional: <0.5%, < 1%, <2%

<sup>(2)</sup> TTL or analog optional

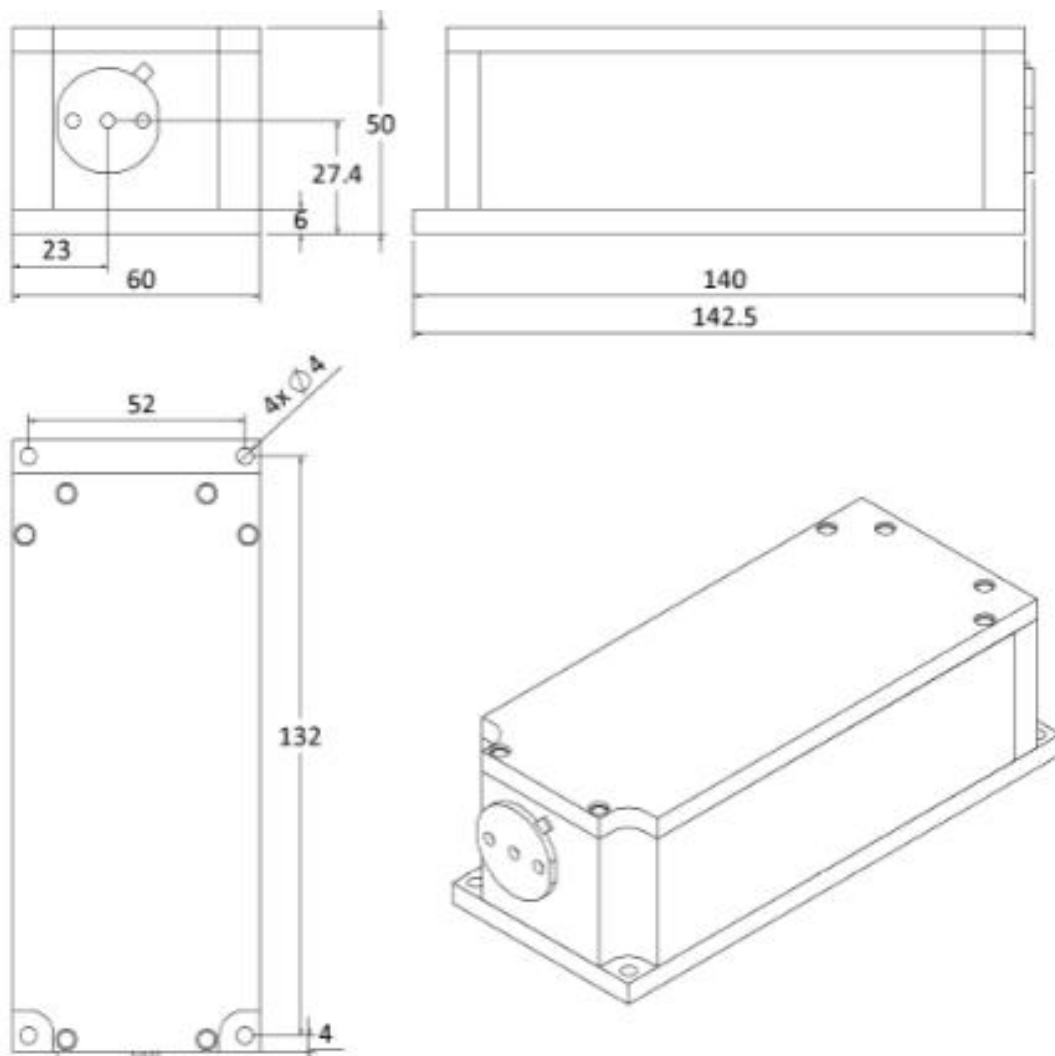
<sup>(3)</sup> >100:1

# 375nm UV Low Noise Laser



## Specifications

### Drawing



Dimensions in mm