

860nm Infrared Low Noise Laser



Specifications

Model Number	LN-IR860-1000-DB
Optical Specifications	
Wavelength	860 nm
Center Wavelength Deviation	+/- 10 nm
Output Power	1 ~ 1000 mW
Longitudinal Mode	Multi
Transverse Mode	Multi
Power Stability (over 4 hours) (rms)	< 3 % ⁽¹⁾
Operating Mode	CW ⁽²⁾
Polarization Ratio	> 100:1
Beam Diameter at the Aperture (1/e ²)	~ 3.0 mm
Noise of Amplitude (RMS, 1Hz-20MHz)	< 1 %
Beam Divergence (Full Angle)	< 3.0 mrad
Warm-up time	< 5 minutes
Beam Height from Base Plate	24.9 mm
Working Temperature	10 to 35 ° C
Cooling Mode	TEC / FANS
Lifetime (MTTF)	10,000 hours
Warranty Time	1 year
Mechanical Specifications	
Dimension of Laser Head	143 (L) x 73 (W) x 46.2 (H) mm
Dimension of Power Supply	188.6 (L) x 155 (W) x 92(H) mm
Dimensional Tolerances	+/- 10 mm

⁽¹⁾ optional: <0.5%, < 1%, <2%

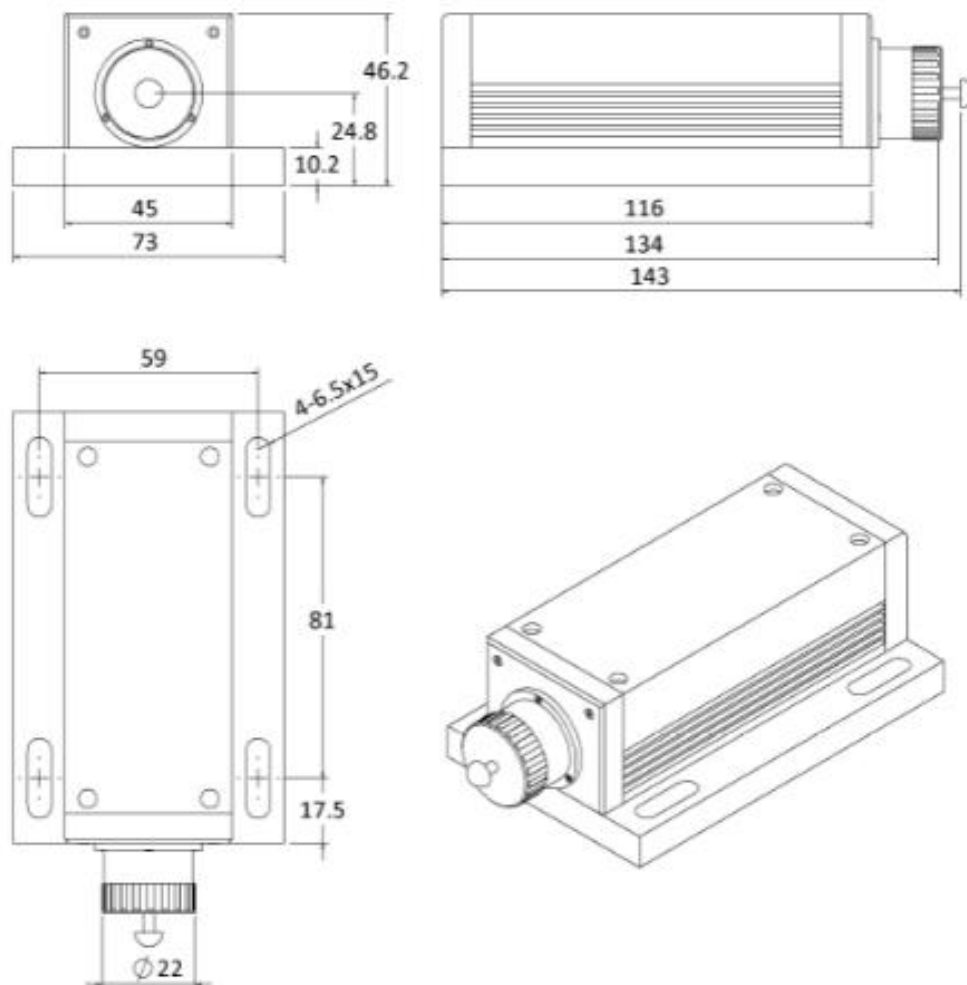
⁽²⁾ TTL or analog optional

860nm Infrared Low Noise Laser



Specifications

Drawing



Dimensions in mm