

# 650nm Red Laser



## Specifications

<b>Model Number</b>	<b>HP-R650-100-DB</b>
<b>Optical Specifications</b>	
Wavelength	650 nm
Center Wavelength Deviation	+/- 15 nm
Output Power	100 mW
M <sup>2</sup>	< 1.5 <sup>(1)</sup>
Longitudinal Mode	Multi
Transverse Mode	Near TEM00
Power Stability (over 4 hours) (rms)	< 3 % <sup>(2)</sup>
Operating Mode	CW <sup>(3)</sup>
Polarization Ratio	> 50:1 <sup>(4)</sup>
Beam Diameter at the Aperture (1/e <sup>2</sup> )	~ 3.0 mm
Beam Divergence (Full Angle)	< 1.1 mrad
Warm-up time	< 8 minutes
Beam Height from Base Plate	25 mm
Working Temperature	10 to 35 ° C
Cooling Mode	TEC / FANS
Estimated Lifetime (MTTF)	10,000 hours
Warranty Time	1 year
<b>Mechanical Specifications</b>	
Dimension of Laser Head	143 (L) x 73 (W) x 46.2 (H) mm
Dimension of Power Supply	188.6 (L) x 155 (W) x 92(H) mm
Dimensional Tolerances	+/- 1 mm

(1) optional: < 1.3

(2) optional: < 1%, < 2%

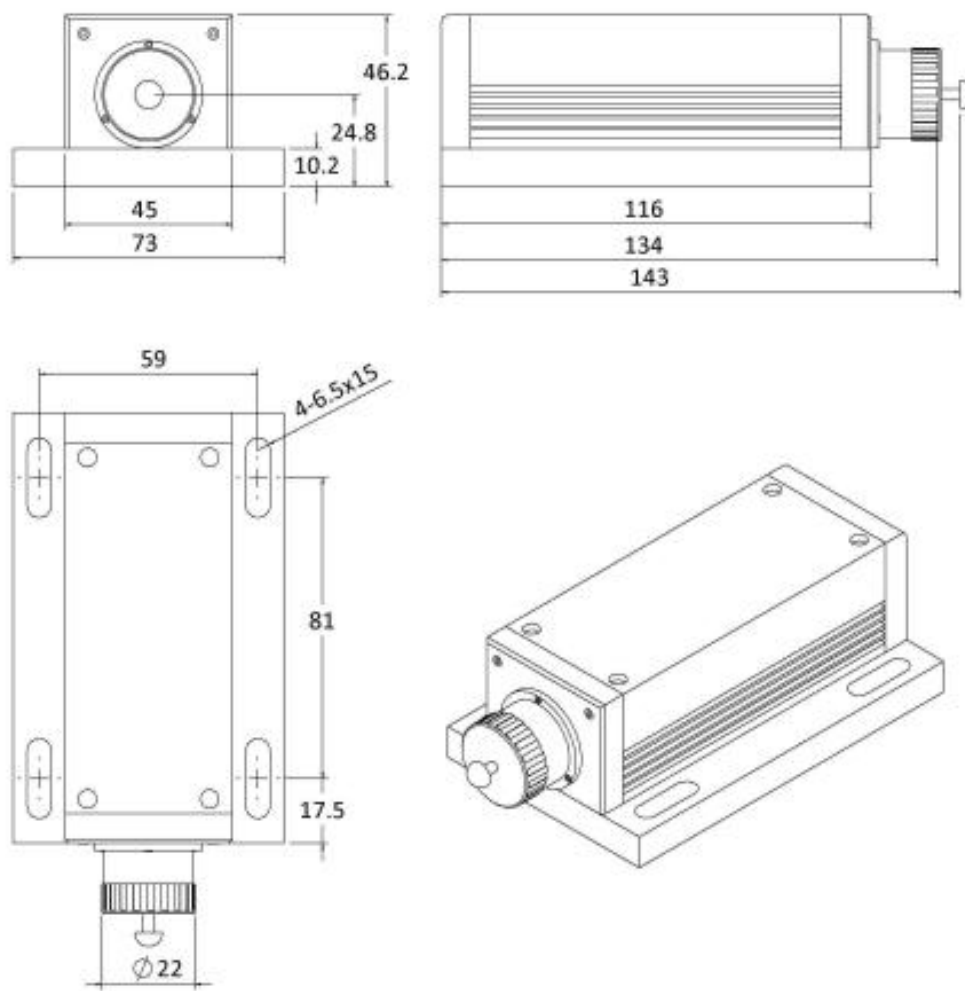
(3) optional: TTL or Analog (1Hz-1kHz)

(4) optional: > 100:1

# 650nm Red High Power Laser



## Drawing



Dimensions in mm