

375nm UV Low Noise Laser



Specifications

Model Number	LN-UV375-400-DB
Optical Specifications	
Wavelength	375 nm
Center Wavelength Deviation	+/- 5 nm
Output Power	50 - 400 mW
Longitudinal Mode	Multi
Transverse Mode	Multi
Power Stability (over 4 hours) (rms)	< 3 % ⁽¹⁾
Operating Mode	CW ⁽²⁾
Polarization Ratio	> 50:1 ⁽³⁾
Beam Diameter at the Aperture (1/e ²)	< 1.5 x 3.5
Noise of Amplitude (RMS, 20Hz-20MHz)	< 1 %
Beam Divergence (Full Angle)	< 2.3 x 0.2 mrad
Warm-up time	< 5 minutes
Beam Height from Base Plate	~ 25 mm
Working Temperature	10 to 35 ° C
Cooling Mode	TEC / FANS
Estimated Lifetime (MTTF)	10,000 hours
Warranty Time	1 year
Mechanical Specifications	
Dimension of Laser Head	145 (L) x 75 (W) x 48 (H) mm
Dimension of Power Supply	188.6 (L) x 155 (W) x 92 (H) mm
Dimensional Tolerances	+/- 10 mm

⁽¹⁾ optional: <0.5%, < 1%, < 2%

⁽²⁾ optional: TTL or Analog (1Hz-1kHz)

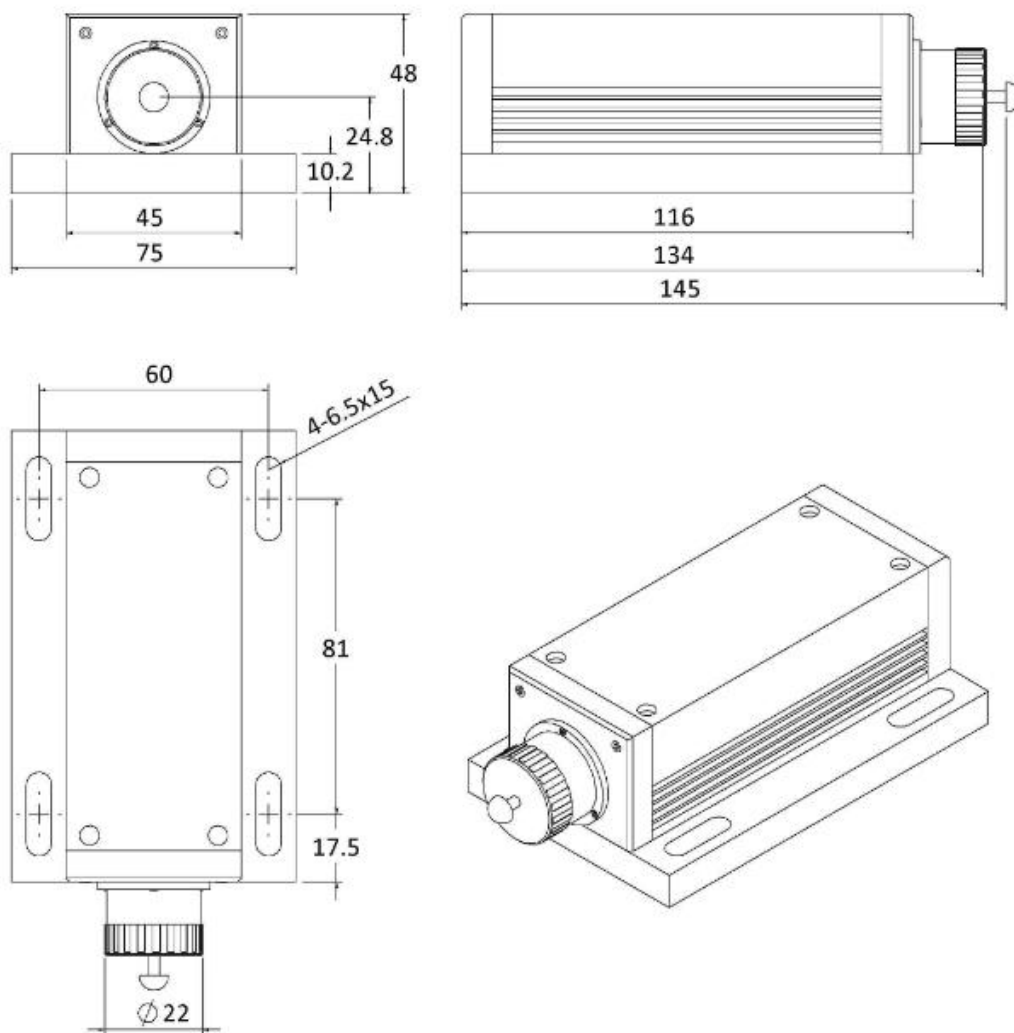
⁽³⁾ optional: > 100:1

375nm UV Low Noise Laser



Specifications

Drawing



Dimensions in mm