

355nm UV Q-Switched Laser



Specifications

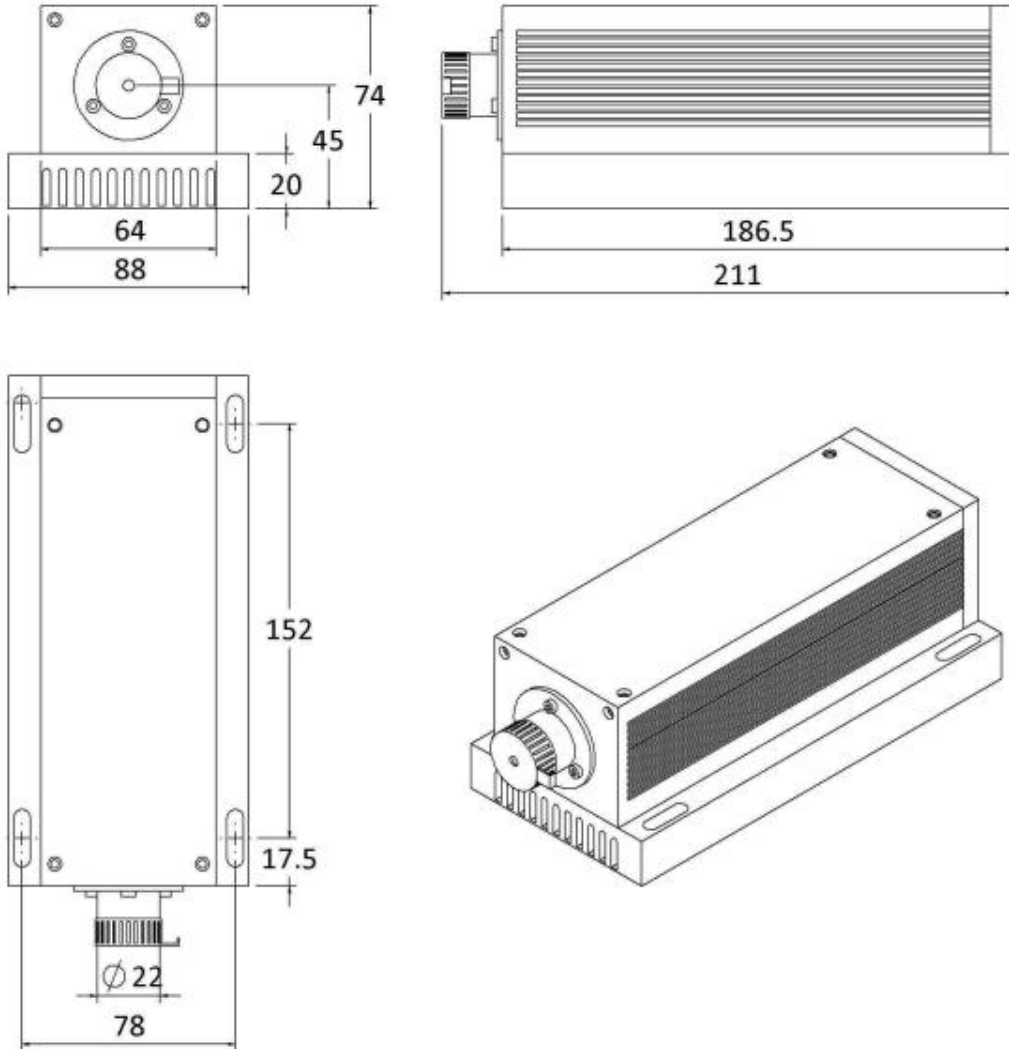
Model Number	Q-UV355-100-DB
Optical Specifications	
Wavelength	355 nm
Center Wavelength Deviation	+/- 1 nm
Output Average Power	1 – 100 mW
Transverse Mode	Near TEM00
Ave Power Stability (over 4 hours)	< 10 % ⁽¹⁾
Operating Mode	Q-switched
Polarization Ratio	> 50:1
Beam Diameter at the Aperture (1/e ²)	~ 2 mm
Beam Divergence (Full Angle)	< 1.5 mrad
Warm-up time	< 10 minutes
Beam Height from Base Plate	45 mm
Working Temperature	10 to 35 ° C
Cooling Mode	FANS
Lifetime (MTTF)	5,000 hours
Warranty Time	1 year
Mechanical Specifications	
Dimension of Laser Head	211 (L) x 88 (W) x 74 (H) mm
Dimension of Power Supply	236 (L) x 145 (W) x 105 (H) mm
Dimensional Tolerances	+/- 1 mm
Q- Switch Specifications	
Single Pulse Energy	0.1 - 15 μJ
Pulse duration	~ 5 ns
Peak Power	20 - 3000 W
Repetition Rate	1 - 4 kHz

(1) optional: < 5 %

355nm UV Q-Switched Laser



Drawing



Dimensions in mm