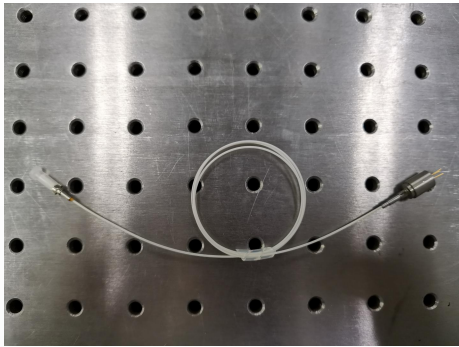


# Single Mode Fiber Coupled Laser Module

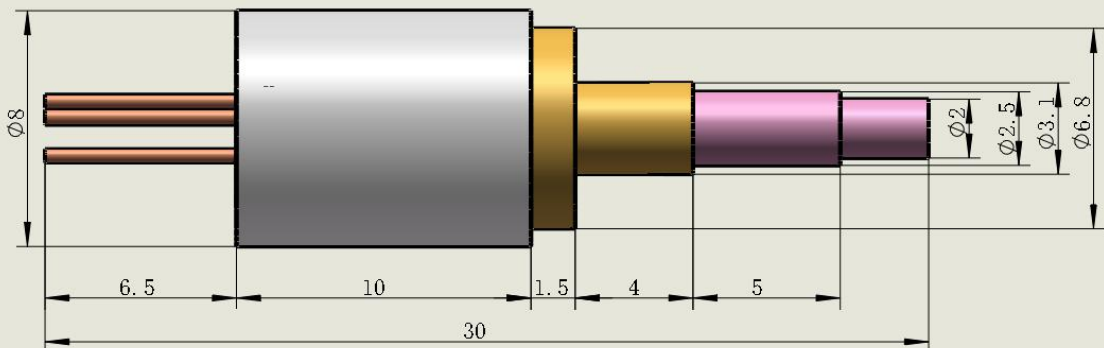


## Features

- 520nm Diode Laser
- 3.5um SM Fiber
- Fast Rise Time

Model Number	G520-SMF25
Center Wavelength <sup>(1)</sup>	520nm
Operating Voltage (DC)	6V
Operating Current	270mA
Output Power <sup>(1)</sup>	30mW
Fiber coupling efficiency	> 30%

## Dimensions (Unit: mm)



图纸1

<sup>(1)</sup> after fiber, over Operating Case Temperature Range

<b>Specifications</b>				
<b>Mechanical Specifications</b>		<b>Min</b>	<b>Typ</b>	<b>Max</b>
Laser Head	Diameter (mm)	-	8	-
	Length (mm)	-	30	-
	Weight (g)	-	130	-
Housing Material		SUS304		
<b>Optical Specifications</b>		<b>Min</b>	<b>Typ</b>	<b>Max</b>
Center Wavelength@25°C		-	520	-
Spectral Width(FWHM)		-	1	2
Output Power(mW)@25°C		30	-	-
Power Stability @ 25°C		-	±2%	±5%
M <sup>2</sup>		-	2.1	2.5
Longitudinal Mode		Single Mode Fiber		
Output Power Mode		CW		
Laser Class		3B		
<b>Fiber Specifications</b>		<b>Min</b>	<b>Typ</b>	<b>Max</b>
Fiber Type		3.5/125um with 900um loose tube		
Fiber Numerical Aperture			0.12	
Fiber Length (m)			0.5	
Fiber Termination		FC connector		
Fiber Length		-	500	-
<b>Reliability</b>		<b>Min</b>	<b>Typ</b>	<b>Max</b>
Operating Case Temperature Range (°C)		-10	-	60
Storage Temperature (°C)		-40	-	85
Environmental Humidity (RH, %)		5	-	85
Lifetime (hours) (MTTF at 25°C)		2,000	-	-
RoHS Compliance Declaration		Yes		

## Beam Picture

