

830nm IR Laser

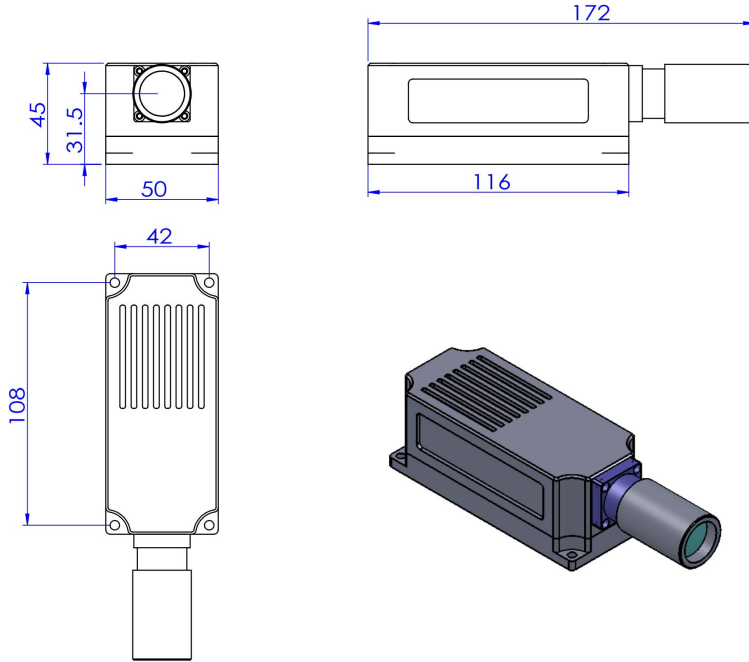
Specifications

Model Number	IR830-400-BS
Optical Specifications	
Wavelength	830nm \pm 10nm
Output Power	~ 350-400mW
M ²	/
Longitudinal Mode	Multi
Transverse Mode	Near TEM ₀₀
Power Stability (over 4 hours) (rms)	\leq 5 %
Operating Mode	CW
Polarization Ratio	/
Beam Diameter at the Aperture (1/e ²)	\leq 20mm
Beam Divergence (Full Angle)	\leq 0.8mrad
Spectral Linewidth	3 nm
Noise of Amplitude (rms)	< 1 %
Warm-up time	< 12 minutes
Pointing Stability over Operating Temp.Range	\leq 0.5 mrad
Beam Height from Base Plate	31.5 mm
Working Temperature	-10 to 50 ° C
Storage Temperature	-40 to 70 ° C
Cooling Mode	TEC
Estimated Lifetime (MTTF)	> 8000 hours
Warranty Time	1 year
Mechanical Specifications	
Dimension of Laser Head	172 (L) x 42 (W) x 45 (H) mm
Dimension of Power Supply	160 (L) x 76.8 (W) x 35 (H) mm
Dimensional Tolerances	+/- 1 mm

830nm IR Laser

Dimensions

Laser Head(Unit: mm)



Power Supply(Unit: mm)

