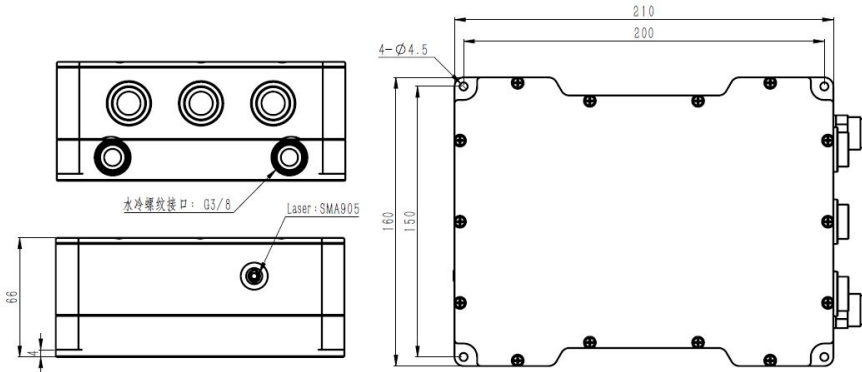


Y571D1000-210x160x66-MMF

Applications

- Laser Medical Treatment
- Scientific Experiment
- Optical Instrument
- Laser Display

Dimensions (Unit: mm)



Specifications

Model Number		Y571D1000-210x160x66-MMF		
Mechanical Specifications		Min	Typ	Max
Laser Head	Width x Length(mm)	-	210x160	-
	Height (mm)	-	66	-
	Weight (g)	-	-	2000
Housing Material		Anodic oxidation treatment		
Optical Specifications		Min	Typ	Max
Wavelength (nm)		569	571	573
Output Power (mW)		1000	1100	-
Power Stability at const. Temperature ⁽¹⁾		-	+/-1%	+/-2%
Output Power Mode		CW		
Laser Class		4		

⁽¹⁾ after max. 10 minutes , RMS.

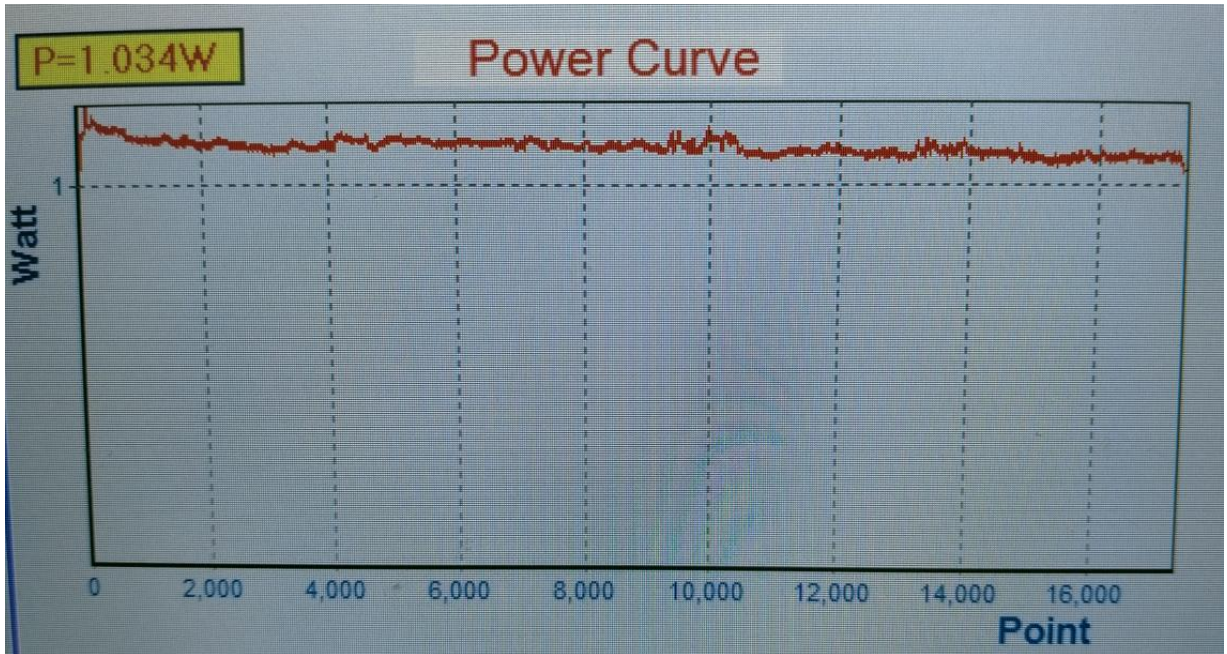
Fiber	Core Diameter(μm)	-	105	-
	NA	-	0.22	-
	Length(m)	-	1	-
	Connector	SMA905 ⁽²⁾		
Beam Mode Longitude		Multi		
Beam Mode Transverse		-		
Polarization Ratio (Linear)		1:1	-	-
Residual IR		-	-	3%
Electrical Specifications		Min	Typ	Max
Power Supply ⁽³⁾		100-240VAC		
Power Consumption (W)		-	240	-
Power Supply Size	Width x Height (mm)	-	260x100	-
	Length (mm)	-	280	-
	Weight (g)	-	5000	-
Operating Ambient Temperature Range ($^{\circ}\text{C}$)		10	25	35
Warm up Time (mins) at 6A		-	10	15
Storage Temperature ($^{\circ}\text{C}$)		0	-	40
Environmental Humidity (RH, %)		5	-	85
Lifetime (hours) (MTTF at 25 $^{\circ}\text{C}$)		5,000	-	-
RoHS Compliance Declaration		Yes		

(2) Fiber connector can be customized

(3) Power Supply



Picture 1: Power Stability Over 2h (Example)



Picture 2: Wavelength (Example)

