

Single Mode Fiber Coupled Laser Module

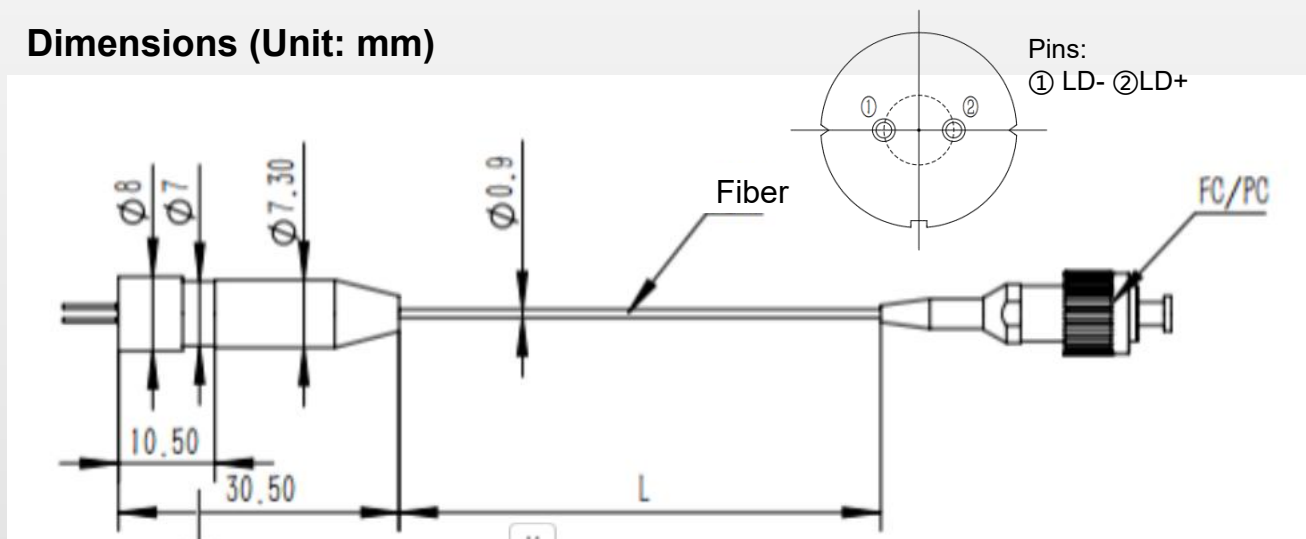


Features

- 638nm Diode Laser
- 4um SM Fiber
- Fast Rise Time

| Model Number | B638-SMF5 |
|----------------------------------|--------------------|
| Center Wavelength ⁽¹⁾ | 638nm |
| Operating Voltage (DC) | Typ: 2.8V Max: 3V |
| Operating Current | Typ:30mA, Max:40mA |
| Output Power ⁽¹⁾ | 5mW |
| Fiber coupling efficiency | 30% |

Dimensions (Unit: mm)



⁽¹⁾ after fiber, at 25°C

- Customer is responsible for suitable heat sinking

Specifications

| Mechanical Specifications | | Min | Typ | Max |
|---------------------------------------|---------------|--------------------------------|------------|------------|
| Laser Head | Diameter (mm) | - | 8 | - |
| | Length (mm) | - | 30.5 | - |
| | Weight (g) | - | 10 | - |
| Housing Material | | SUS304 | | |
| Optical Specifications | | Min | Typ | Max |
| Center Wavelength @25°C | | 635 | 638 | 641 |
| Spectral Width(FWHM) | | - | 3 | - |
| Output Power(mW)@25°C | | - | 5 | - |
| Power Stability @25°C over 1h | | - | ±2% | ±3% |
| Longitudinal Mode | | Single Mode Fiber | | |
| Output Power Mode | | CW | | |
| Laser Class | | 3B | | |
| Fiber Specifications | | Min | Typ | Max |
| Fiber Type | | 4./125um with 900um loose tube | | |
| Fiber Numerical Aperture | | - | 0.13 | - |
| Fiber Length (m) | | - | 1 | - |
| Fiber Termination | | FC/APC | | |
| Reliability | | Min | Typ | Max |
| Operating Case Temperature Range (°C) | | -10 | - | 60 |
| Storage Temperature (°C) | | -40 | - | 85 |
| Environmental Humidity (RH, %) | | 5 | - | 85 |
| RoHS Compliance Declaration | | Yes | | |

Beam Picture



Fiber Connector Picture

