

# Green Line Laser Module Wide Temperature Range

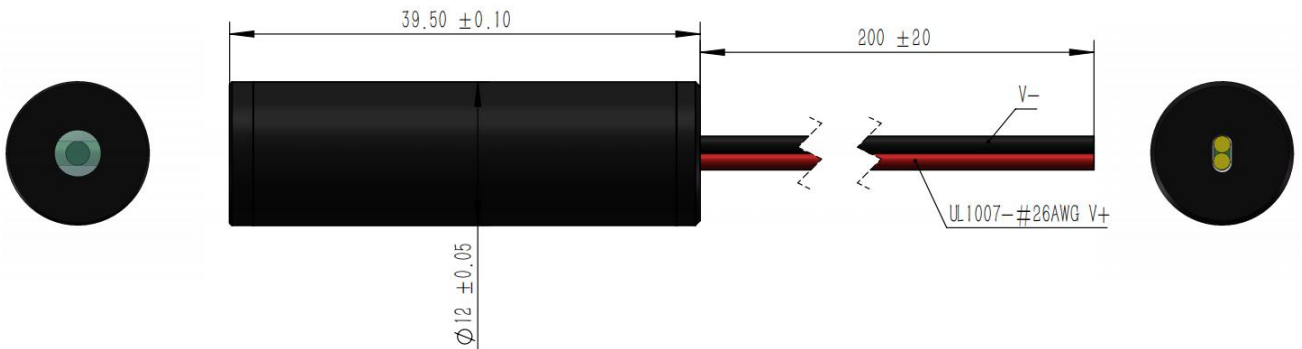


**G532L001-12x39.5-X-(-30-50)-10**

## Features

- Gaussian Line
- Wide Temperature Range
- Fast Rise Time
- High Reliability

## Dimensions (Unit: mm)



Specifications				
<b>Model Number</b>		G532L001-12x39.5-XXX-(-30-50)-10		
<b>Mechanical Specifications</b>		<b>Min</b>	<b>Typ</b>	<b>Max</b>
Laser Head	Diameter (mm)	11.95	12 <sup>(1)</sup>	12.05
	Length (mm)	39.4	39.5 <sup>(1)</sup>	39.6
	Weight (g)	-	14.5	-
Housing Material		Black Anodized Aluminum		
<b>Optical Specifications</b>		<b>Min</b>	<b>Typ</b>	<b>Max</b>
Wavelength (nm) <sup>(2)</sup>		530	532	534
Output Power (mW) <sup>(3)</sup>		0.5	0.75	0.98
Power Stability at const. Temperature <sup>(4)</sup>		-	+/- 2%	+/- 5%
Output Power Mode		CW		

<sup>(1)</sup> Other Dimensions available on demand

<sup>(2)</sup> over Operating Case Temperature Range

<sup>(3)</sup> at Cylinder (Optional: Powell) Lens Exit

<sup>(4)</sup> after max. 3 minutes

<b>Beam Specifications</b>	<b>Min</b>	<b>Typ</b>	<b>Max</b>
Fan Angle (1/e <sup>2</sup> , degree) <sup>(1)</sup>	X-5	X <sup>(1)</sup>	X+5
Line width @ 10m (mm) <sup>(2)</sup>	-	3.5	4.5
Line Curvature (mm) at 10m	-	-	±0.5
Deviation of Laser Beam (mrad) <sup>(3)</sup>	-	6	10
Power Distribution	Gaussian		
Beam Mode Longitude	Multi		
Residual IR	-	-	1%
<b>Electrical Specifications</b>	<b>Min</b>	<b>Typ</b>	<b>Max</b>
PCB Type	APC		
Voltage (DC, V)	2.8	3.0	5.2
Operating Current (mA) <sup>(4)</sup> at 3V	-	120	290
Housing Isolation	Yes		
ESD protection	No		
Wire Length (mm)	200 ± 20		
Wire Type <sup>(5)</sup>	UL1007 26#AWG		
Connector Model <sup>(6)</sup>	None		
Reverse Voltage Protection	Yes		
<b>Reliability</b>	<b>Min</b>	<b>Typ</b>	<b>Max</b>
Operating Case Temperature Range (°C) <sup>(7)</sup>	-30	-	50
Rise Time (Seconds) <sup>(8)</sup>	-	0.05	0.2
Storage Temperature (°C)	-40	-	60
Environmental Humidity (RH, %)	5	-	85
Lifetime (hours) (MTTF at 25°C)	5,000	-	-
RoHS Compliance Declaration	Yes		

(1) X replace by fan angle:

Gaussian: 10 / 15 / 20 / 30 / 45 / 60 / 75 / 90 / 120°

(2) Optional: Focused Line on demand

(3) from Laser Module Mech Centerline (Full Angle)

(4) over Operating Case Temperature Range

(5) Optional: Alternative Wire Types on demand

(6) Optional: Connector Models on demand

(7) A = 10-40 °C, B = 10-50 °C, C = 0-40 °C, D = -10-50 °C, E = -30-50°C

(8) to 75% of full Output Power