

Multi Mode Fiber Coupled Laser Module

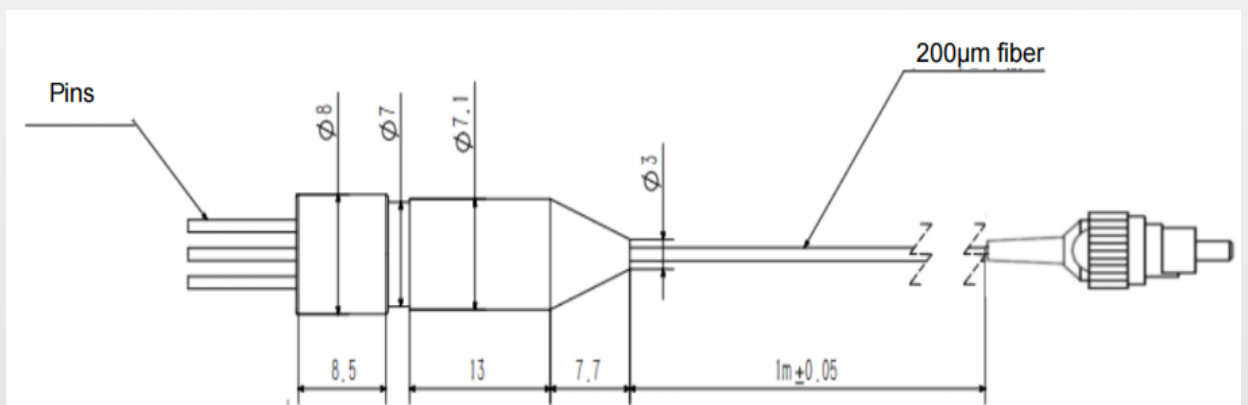


Features

- 785nm Diode Laser
- 200 μ m MMF Fiber
- Fast Rise Time

Model Number	IR785-MMF80
Center Wavelength ⁽¹⁾	785nm
Operating Voltage (DC)	2 V
Operating Current	Typ: 140mA Max:160mA
Output Power ⁽¹⁾	80 mW
Fiber coupling efficiency	85%

Dimensions (Unit: mm)

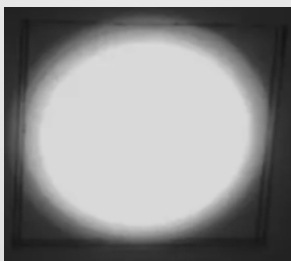


⁽¹⁾ after fiber, at 25°C

- Customer is responsible for suitable heat sinking

Specifications				
Mechanical Specifications		Min	Typ	Max
Laser Head	Diameter (mm)	-	8	-
	Length (mm)	-	29.2	-
	Weight (g)	-	10	-
Housing Material		SUS304		
Optical Specifications		Min	Typ	Max
Center Wavelength @25°C		780	785	790
Spectral Width(FWHM)		-	3	-
Output Power(mW)@25°C		-	80	-
Power Stability @25°C over 1h		-	±3%	±5%
M ²		-	2.1	2.5
Longitudinal Mode		Multi Mode Fiber		
Output Power Mode		CW		
Laser Class		3B		
Fiber Specifications		Min	Typ	Max
Fiber Type		200/220um with 900um loose tube		
Fiber Numerical Aperture		-	0.22	-
Fiber Length (m)			1	
Fiber Termination		FC/SMA905/ST/2.5 ferrule available		
Reliability		Min	Typ	Max
Operating Case Temperature Range (°C)		-10	-	60
Storage Temperature (°C)		-40	-	85
Environmental Humidity (RH, %)		5	-	85
RoHS Compliance Declaration		Yes		

Beam Picture



Fiber Connector Picture

