

# Multi Mode Fiber Coupled Laser Module

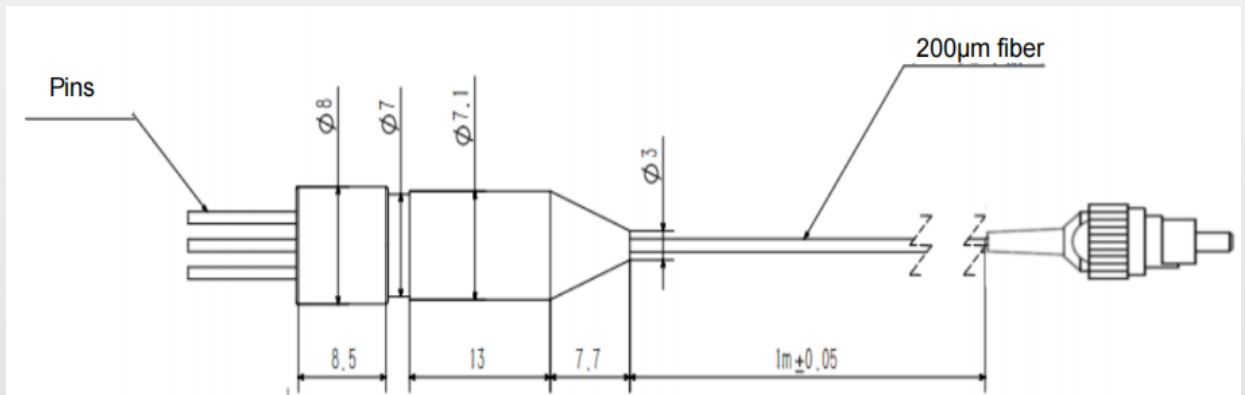


## Features

- 488nm Diode Laser
- 200um MMF Fiber
- Fast Rise Time

Model Number	B488-MMF60
Center Wavelength <sup>(1)</sup>	488nm
Operating Voltage (DC)	6.5 V
Operating Current	Typ: 120mA Max:135mA
Output Power <sup>(1)</sup>	60 mW
Fiber coupling efficiency	85%

## Dimensions (Unit: mm)

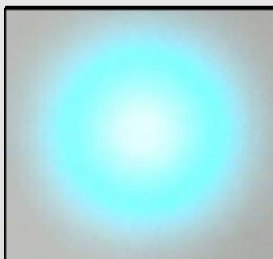


<sup>(1)</sup> after fiber, at 25°C

- Customer is responsible for suitable heat sinking

<b>Specifications</b>				
<b>Mechanical Specifications</b>		<b>Min</b>	<b>Typ</b>	<b>Max</b>
Laser Head	Diameter (mm)	-	8	-
	Length (mm)	-	29.2	-
	Weight (g)	-	10	-
Housing Material		SUS304		
<b>Optical Specifications</b>		<b>Min</b>	<b>Typ</b>	<b>Max</b>
Center Wavelength @25°C		485	488	491
Spectral Width(FWHM)		-	3	-
Output Power(mW )@25°C		-	60	-
Power Stability @25°C over 1h		-	±3%	±5%
M <sup>2</sup>		-	2.1	2.5
Longitudinal Mode		Multi Mode Fiber		
Output Power Mode		CW		
Laser Class		3B		
<b>Fiber Specifications</b>		<b>Min</b>	<b>Typ</b>	<b>Max</b>
Fiber Type		200/220um with 900um loose tube		
Fiber Numerical Aperture		-	0.22	-
Fiber Length (m)			1	
Fiber Termination		FC/SMA905/ST/2.5 ferrule available		
<b>Reliability</b>		<b>Min</b>	<b>Typ</b>	<b>Max</b>
Operating Case Temperature Range (°C)		-10	-	60
Storage Temperature (°C)		-40	-	85
Environmental Humidity (RH, %)		5	-	85
RoHS Compliance Declaration		Yes		

### Beam Picture



### Fiber Connector Picture

